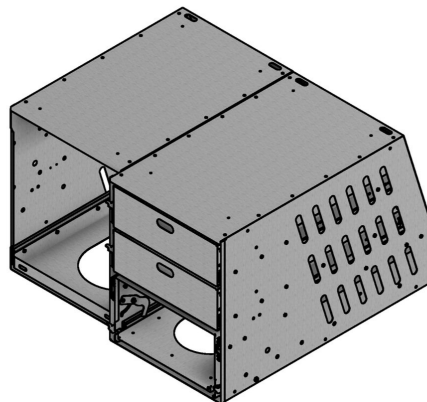
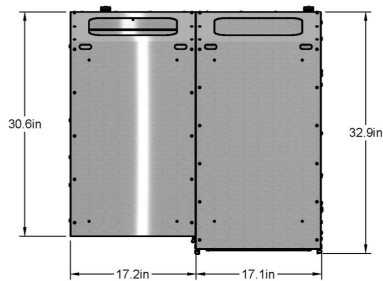
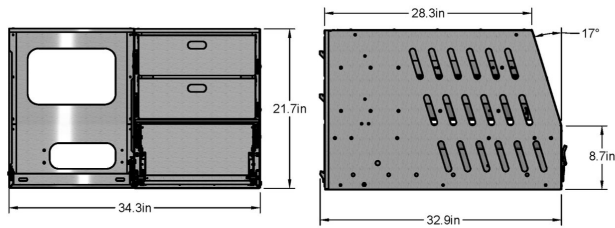
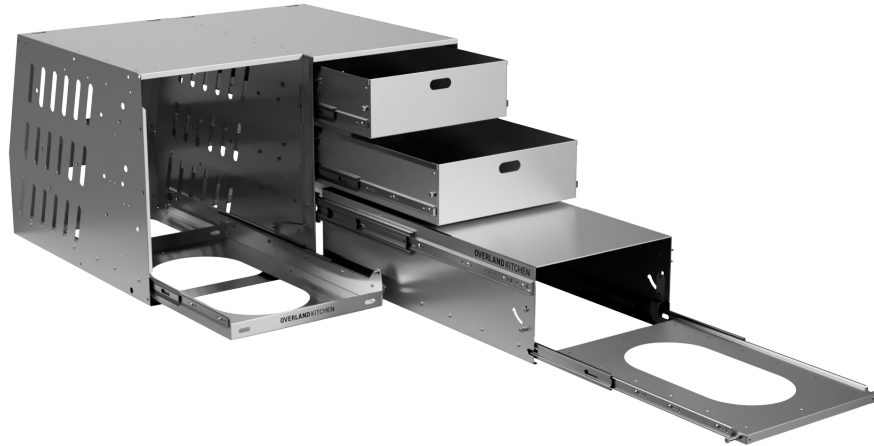


Durable #304 Food-Grade Stainless Steel Vehicle Kitchens made in North America

EXPEDITION KITCHEN

www.overlandkitchen.com



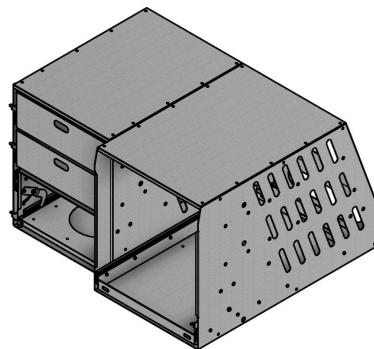
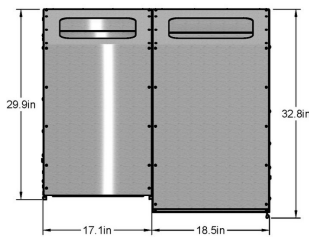
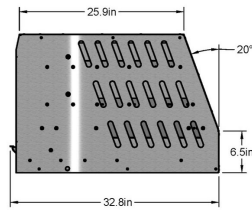
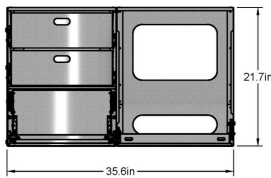
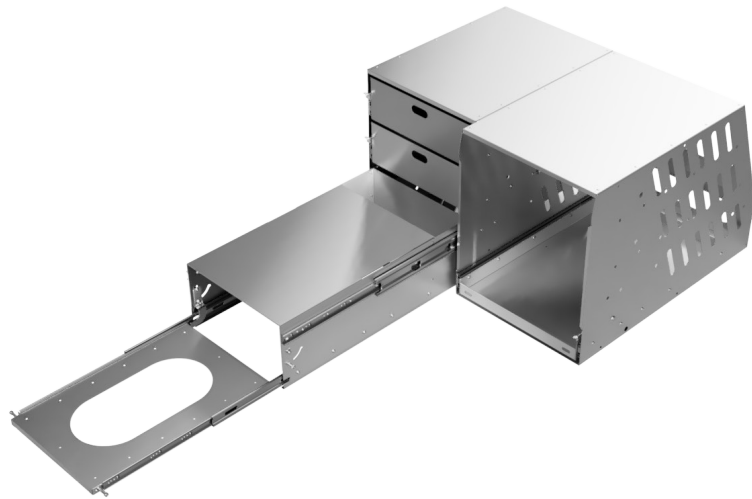
Durable #304 Food-Grade Stainless Steel Vehicle Kitchen

Features:

- Prep Surface (15.5"D x 22.5"W)
- Cookware Storage (9.25"D x 15.25"W x 8.28"H)
- Two Storage Drawers (28.4"D x 16.03"W x 5.5"H each)
- Stove Drawer for stove up to (22.7"D x 15"W x 7"H)

EXPEDITION KITCHEN LH

www.overlandkitchen.com



Durable #304 Food-Grade Stainless Steel Vehicle Kitchen

Features:

- Prep Surface (15.5"D x 22.5"W)
- Cookware Storage (5.09"D x 15.25"W x 8.28"H)
- Stove Drawer for stove up to (22.7"D x 15"W x 7"H)
- Top Storage Drawer (23.67"D x 15.75"W x 5.4"H)
- Middle Storage Drawer (25.67"D x 15.75"W x 5.4"H)
- Fridge Drawer for fridge up to (28.16"D x 17.1"W x 20.67"H)

TRUCK BED KITCHEN

www.overlandkitchen.com

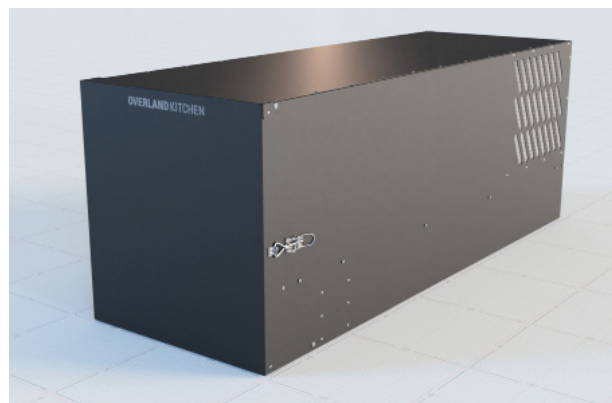
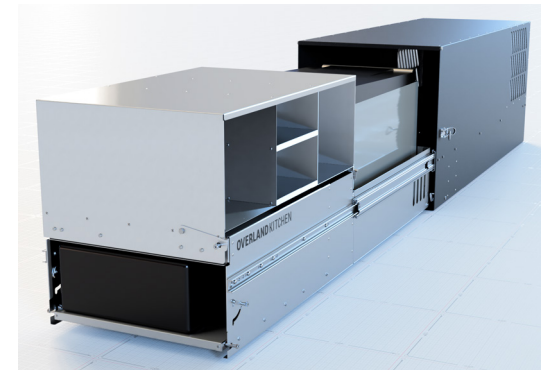
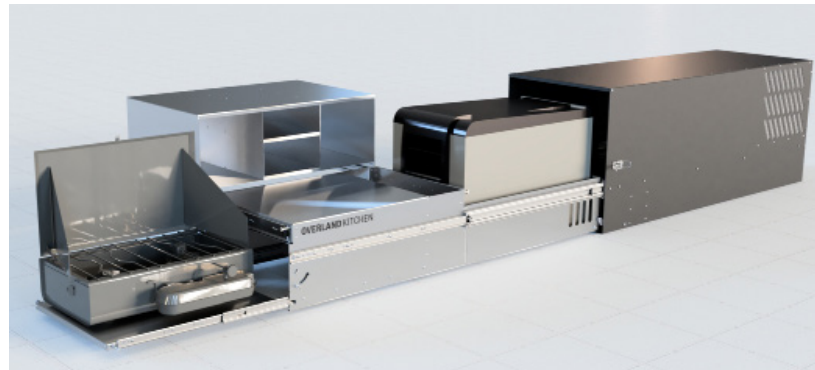


Durable #304 Stainless Steel Truck Bed Kitchen

The truck kitchen main drawer extends 80" to reveal a stove shelf, workspace, pantry, and storage basin. The pantry rolls out 18" to reveal the prep surface.

Features:

- Large food-grade stainless steel work surface
- Refrigerator compartment
- Cookware storage basin
- Stove drawer (up to 22" stove)
- Pantry cabinet (18" deep)



OVERLAND KITCHEN PRICE SHEET

www.overlandkitchen.com



Expedition Kitchen.....	\$3,487	USD	MSRP
Expedition Kitchen LH.....	\$3,487	USD	MSRP
Truck Bed Kitchen.....	\$3,987	USD	MSRP